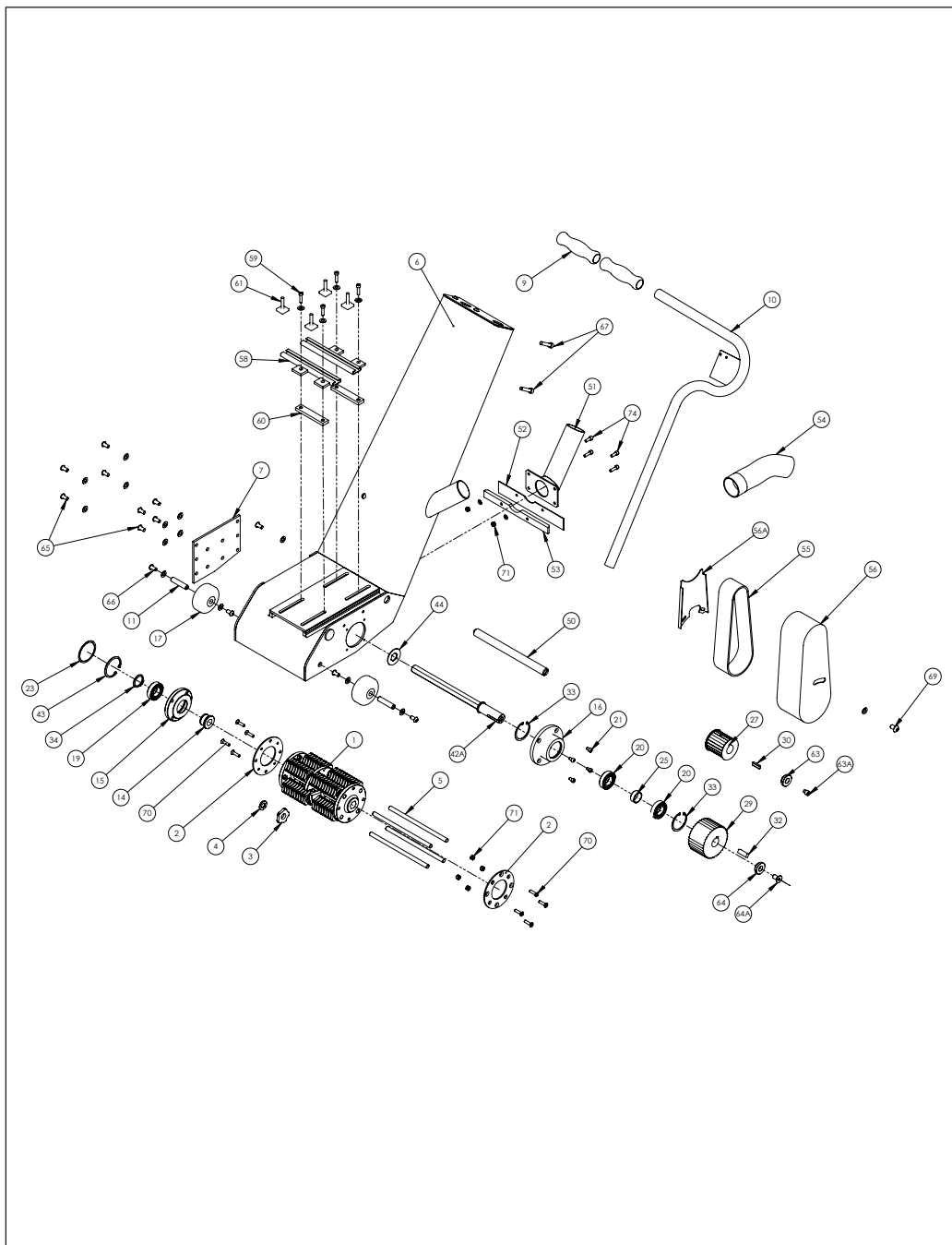
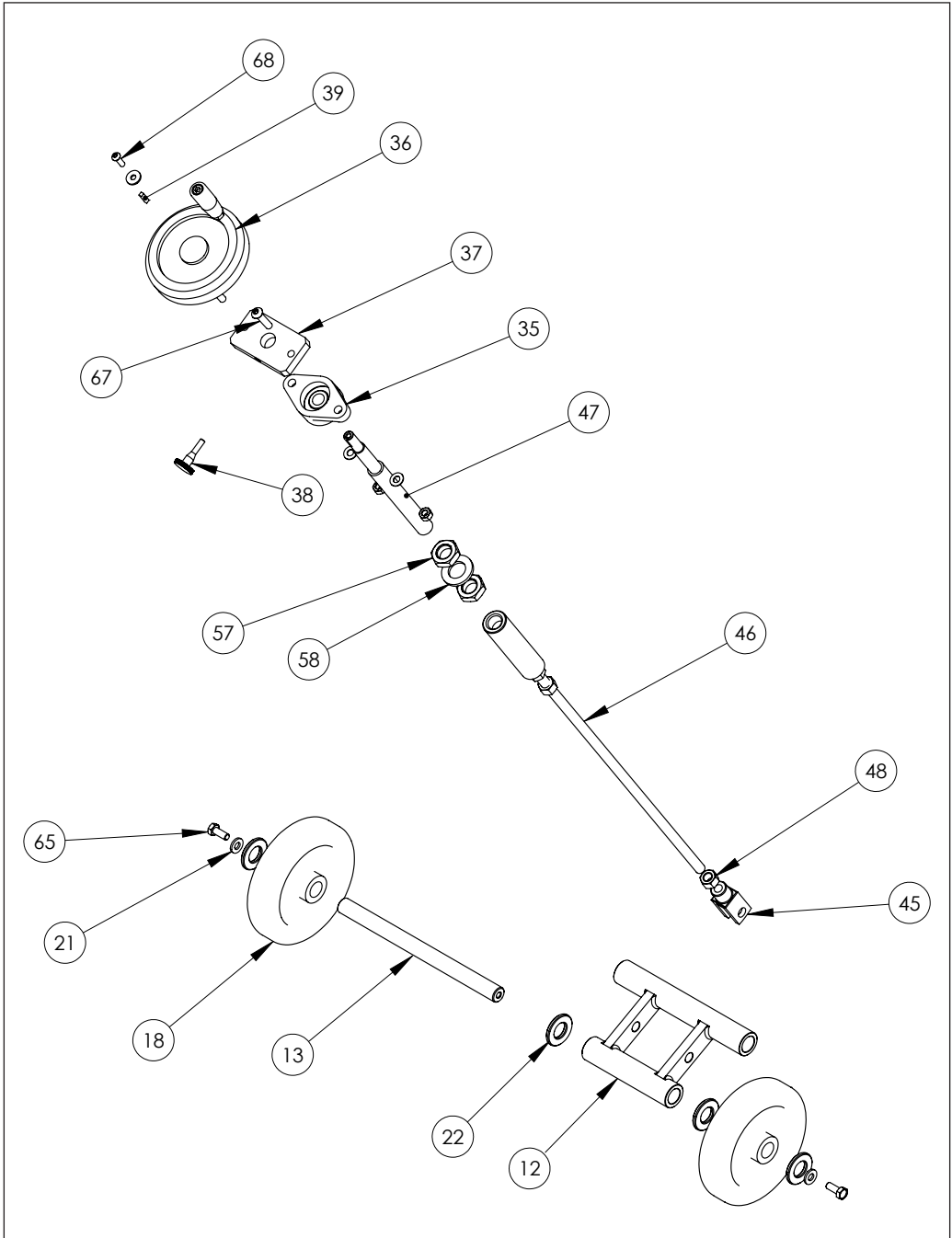


**TFP200 EXPLODED DIAGRAM**

## TFP200 PARTS LIST

SPARE PARTS			
ITEM NO.	PART NO.	DESCRIPTION	QUANTITY REQUIRED
1	320.002H	12mm Cutter Drum inc Cutter Shafts	1
1A	320.002S	12mm Double Web Drum inc Cutter Shafts	1
1B	320.002G	12mm Grooving Drum inc Cutter Shafts	1
2	320.00EP	End Plate HD Drum TFP 200	2
3	320.5500	TCT Cutter	80
3A	320.5120	Beam Cutter	264
3B	320.3658	Star Cutter	208
3C	320.5600	Milling Cutter	24
3D	320.5650	1/2 Milling Cutter	48
4	320.4140	Spacer	88 TCT, 232 Grooving, 72 Milling
5	320.0020	12mm Cutter Shafts	4
6	320.2021	Chassis less Drum	1
7	320.9101	Side plate for TFP200	1
9	822.2000	Rubber Grip	2
10	320.9103	Handle Bar Assembly	1
11	320.9107	Front Axle	2
14	320.9114A	Hexagon Bush	1
15	320.9115A	Bearing Housing S/P	1
16	320.9116	Bearing Housing for TFP 200	1
17	320.9120	TFP200 Front Wheel	2
19	320.9123A	Bearing 62x30x16	1
20	320.9124	Drive Shaft Bearing for TFP200	2
21	806.0612	M6 X 12 Cap Head Screw	4
23	320.9102A	Bearing Shim	1
25	320.9125	Spacer	1
27	320.9126	Honda Engine Pulley	1
27A	320.9127	Electric Motor Pulley TFP 200	1
29	320.9128	Drive Pulley	1
30	320.9129	Key Engine TFP 200	1
30A	320.9130	Motor Pulley Key TFP 200	1
32	320.9131	Key Drive Pulley	1
33	320.9132	Circlip For Drive Shaft	2
34	320.9133	Circlip S/P	2
42A	320.9140A	Driveshaft (full length hex)	1
43	320.9132A	Internal Circlip 55 x 2mm	1
44	320.9151	Spinner plate (drive shaft)	1
50	320.9110D	Swing Arm Spindle	1
51	320.9109	Vacuum take-off	1
52	320.9106	TFP200 Dust skirt	1
53	320.9105	TFP200 Wear strip	1
54	320.9154	Vacuum Hose	1
55	320.9137	Drive Belt 640mm long	1
56	320.9138	Belt Guard Metal	1
56A	320.9138A	Rear Guard TFP 200	1
58	320.9148F	Mounting Rail Front	1
58A	320.9148R	Mounting Rail Rear	1
59	831.0825	M8x25mm lg hex Bolt	4
60	320.9159	Engine Clamp Plate	2
61	320.9149	T Bolt (Mounting Rail)	4
63	320.9126A	Engine Pulley Retaining Washer	1
63	320.9127A	Motor Pulley Retaining Washer	1
63A	806.5610	5/16"UNFx1.0" sckt head scw	1
64	325.9124	Drive Pulley Retaining Washer	1
64A	853.1020	Countersunk Socket M10x20	1
65	831.0820	M8 x 20mm lg hex hd bolt	8
66	831.0815	M8 x 15mm lg hex hd bolt	4
67	831.0840	M8 x 40mm hexagon head bolt	2
69	508.D220	10mmx1.5x20 Hex Head Bolt	1
70	320.00SC	M6 x 25 C/Sunk Screw	8
71	320.00NY	M6 Nyloc Nut	8
74	831.0620	M6 x 20 Hex head bolt	4

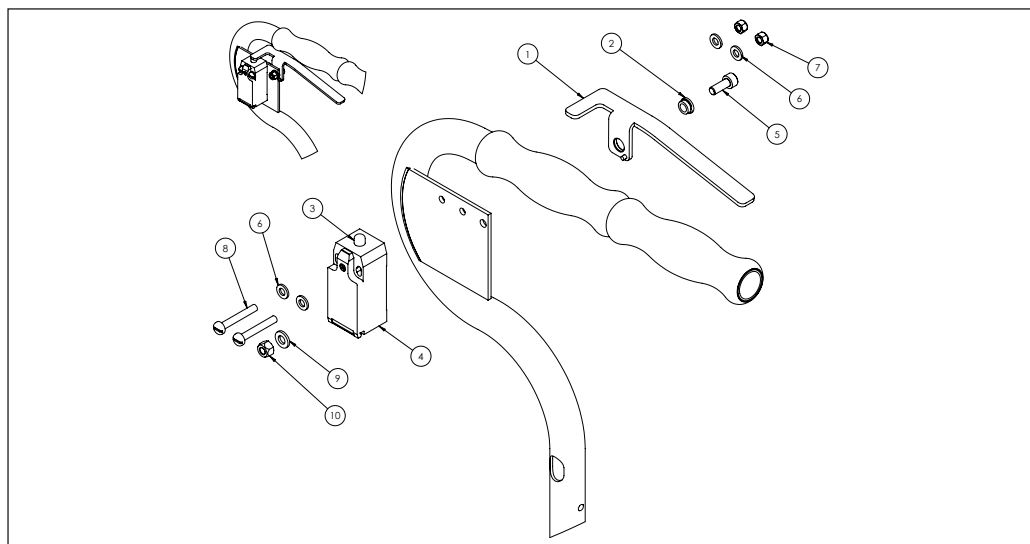
TFP200 EXPLODED DIAGRAM



**TFP200 PARTS LIST**

**SPARE PARTS**

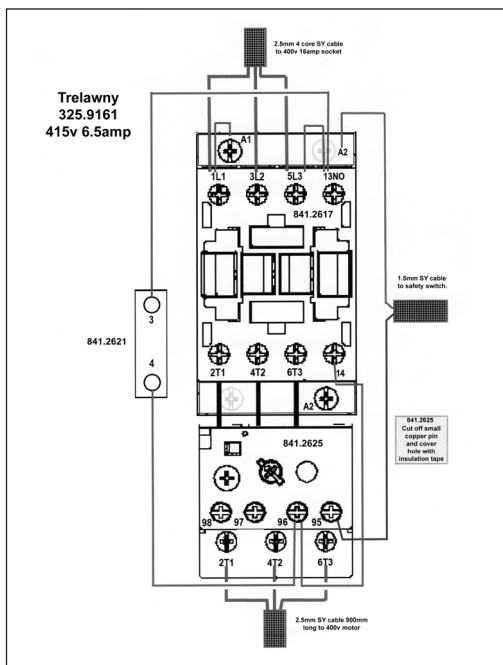
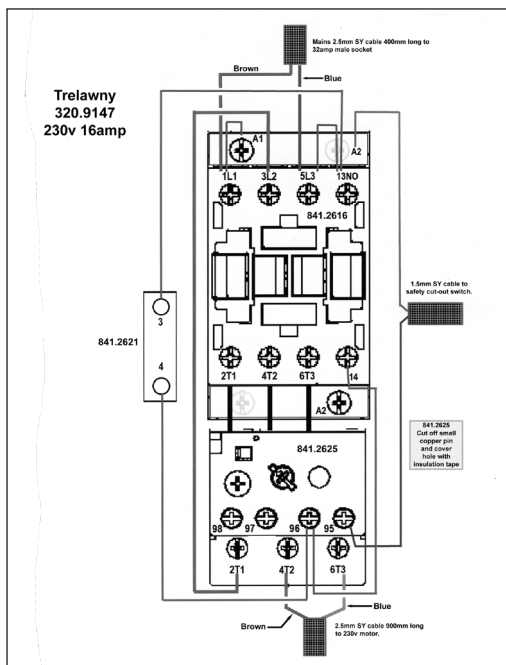
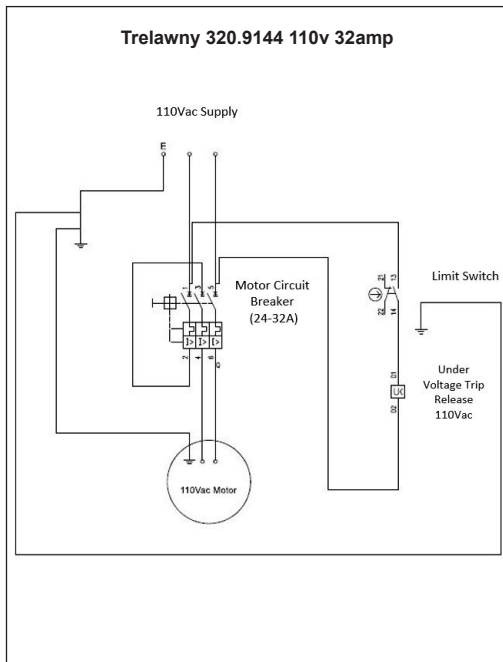
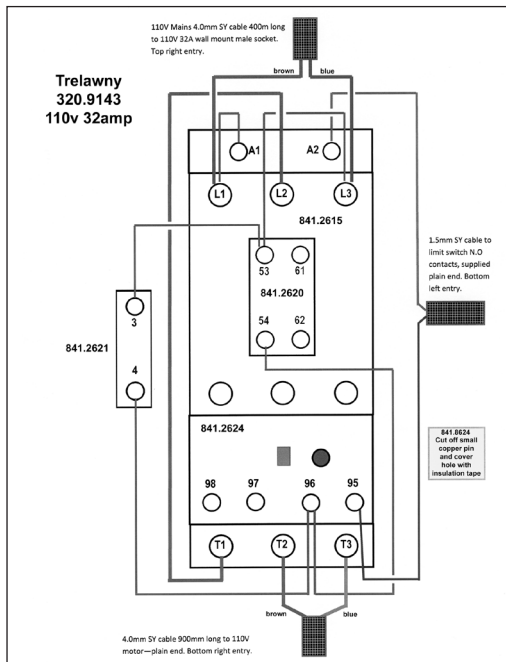
ITEM NO.	PART NO.	DESCRIPTION	QUANTITY REQUIRED
12	320.9110	Swinging Arm	1
13	320.9111	Axle	1
18	320.9121	TFP200 Rear Wheel	1
21	812.1080	M8 Plain Washer	2
22	320.9157	Spacer Washer	2
35	320.9134	Bearing Housing	1
36	320.9135	Hand Wheel	1
36A	320.9136	Handwheel Handle	1
37	320.9155	Lockscrew Plate	1
38	320.9158	Wing Screw M8 x 40mm	1
39	855.4414	4 x 4 x 14mm Key	1
45	320.9122	M12 Clevis and pin	1
46	320.9112	Height Rod	1
47	320.9113	Height Screw	1
48	824.0012	M12 Hexagon Nut thin	1
57	824.0020	M20 Hexagon nut thin	2
58	320.9113A	Lift Shaft Tab Washer	1
65	831.0820	M8 x 20mm lg hex hd bolt	1
67	831.0840	M8 x 40mm hexagon head bolt	1
68	806.0620	M6x20 Socket cap head screw	1



**DEADMAN'S HANDLE SPARE PARTS**

ITEM NO.	PART NO.	DESCRIPTION	QUANTITY REQUIRED
1	320.9832	Deadman Handle Trigger	1
2	345.9833	Pivot Bush	1
3	345.9830	Operating Head	1
4	345.9800	Deadman's Switchbox	1
5	806.0619	M6 x 16 Cap Head Bolt	1
6	320.9310	M5 Washer	4
7	320.9305	M5 Nyloc Nut	2
8	320.9299	M5 x 35 Bolt	2
9	812.1060	M6 Washer	1
10	320.00NY	M6 Nyloc Nut	1
N/A	320.9836	DMH conversion Kit (includes items: 1,2,3,5,9,10)	
N/A		DMH Handle Kit (includes items 1,2,3,4,5,6,7,8,9,10)	

**TFP200 STARTER BOX WIRING DIAGRAM & COMPONENTS**



## TFP200 STARTER BOX WIRING DIAGRAM &amp; COMPONENTS PARTS LIST

## 110v LOVATO STARTER BOX &amp; COMPONENTS (09/04/2018 - PRESENT)

ITEM NO.	PART NO.	DESCRIPTION	QUANTITY REQUIRED
N/A	320.9144	Electric Starter 1ph 110v	1
N/A	841.2631	110v Starter Box Enclosure	1
N/A	841.2612	Motor Circuit Breaker	1
N/A	841.2613	Under Voltage Trip	1
N/A	669.3125	Yellow 110v x 15mtr Cable	1

## 110v LOVATO STARTER BOX &amp; COMPONENTS (01/05/2015 TO 06/04/2018)

ITEM NO.	PART NO.	DESCRIPTION	QUANTITY REQUIRED
N/A	320.9143	Electric Starter 1ph 110v	1
N/A	841.2630	Plastic Starter Box 110v	1
N/A	841.2615	110v Contactor	1
N/A	841.2620	Start Contactor	1
N/A	841.2624	110v O-load Relay 24/32amp	1
N/A	841.2621	Start Contact	1
N/A	841.2022	110V Panel Mounting Plug	1
N/A	841.2102	110v 32amp Lead Plug	1
N/A	841.2634	Red Stop Button (Lovato)	1
N/A	841.2635	Green Start Button (Lovato)	1
N/A	669.3125	Yellow 110v x 15mtr Cable	1

## 230v LOVATO STARTER BOX &amp; COMPONENTS (01/01/2019 - PRESENT)

ITEM NO.	PART NO.	DESCRIPTION	QUANTITY REQUIRED
N/A	320.9145	Electric Starter 1ph 230v	1
N/A	669.3150	Blue 230v x 30mtr Cable	1
N/A	841.2608	Motor Circuit Breaker (9-14A) - 230v	1
N/A	841.2609	Under Voltage Trip Release - 230v	1

## 230v LOVATO STARTER BOX &amp; COMPONENTS (01/05/2015 - 31/12/2018)

ITEM NO.	PART NO.	DESCRIPTION	QUANTITY REQUIRED
N/A	320.9147	Electric Starter 1ph 230v	1
N/A	841.2632	Plastic Starter Box 230/415v	1
N/A	841.2616	230v Contactor	1
N/A	841.2625	230/415v O-load Relay 4/6.5amp	1
N/A	841.2621	Start Contact	1
N/A	841.2024	230v Panel Mounting Plug	1
N/A	841.2104	230v 16amp Lead Plug	1
N/A	841.2634	Red Stop Button (Lovato)	1
N/A	841.2635	Green Start Button (Lovato)	1
N/A	669.3150	Blue 230v x 50mtr Cable	1

## 415v LOVATO STARTER BOX &amp; COMPONENTS (01/01/2019 - PRESENT)

ITEM NO.	PART NO.	DESCRIPTION	QUANTITY REQUIRED
N/A	320.9162	Electric Starter 3ph 415v	1
N/A	669.3175	Grey 380v x 30mtr Cable	1
N/A	841.2605	Motor Circuit Breaker (4-6.5A) - 415v	1
N/A	841.2606	Under Voltage Trip Release - 415v	1

## 415v LOVATO STARTER BOX &amp; COMPONENTS (01/05/2015 - 31/12/2018)

ITEM NO.	PART NO.	DESCRIPTION	QUANTITY REQUIRED
N/A	320.9161	Electric Starter 3ph 380/440V 50/60Hz	1
N/A	841.2632	Plastic Starter Box 230/415v	1
N/A	841.2617	415v Contactor	1
N/A	841.2625	230/415v O-load Relay 4/6.5amp	1
N/A	841.2621	Start Contact	1
N/A	841.2026	415v Panel Mounting Plug	1
N/A	841.2106	415v Lead plug	1
N/A	841.2634	Red Stop Button (Lovato)	1
N/A	841.2635	Green Start Button (Lovato)	1
N/A	669.3175	Grey 400v x 50mtr Cable	1